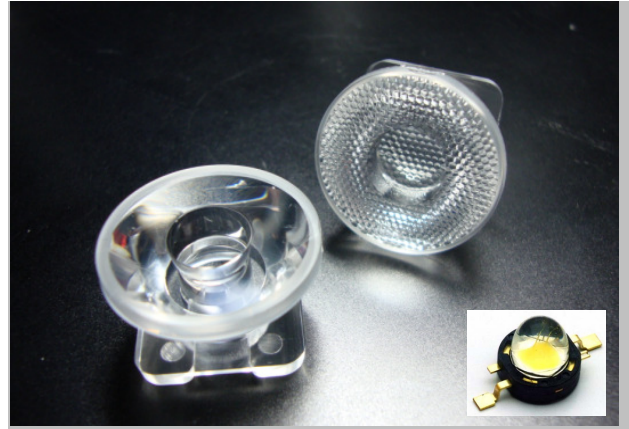


## SEOUL SEMICONDUCTOR 'P4 LED' LENS SERIES

### ■ Contents

1. Lens Layout
2. Lens Specification
3. Measurement data
4. Lens Characteristics
5. Dimensions
6. View of the Assembly
7. Handling of the Lens

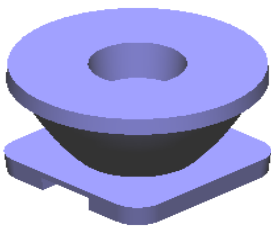


  
SEOUL SEMICONDUCTOR

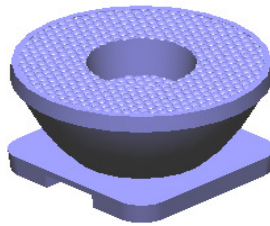
- The 'P4 LED' Lens Series offers low profile lens especially designed for the SEOUL SEMICONDUCTOR

: [P4 LED Part No. 'W42180'](#) <http://www.acriche.co.kr>

### 1. Lens Layout



P4 15D Lens



P4 40D Lens

## 2. Lens Specification

Lens Type	Beam Angle	Beam Pattern	Components
P4 15D Lens	15 deg.	Circular	Single Lens
P4 40D Lens	40 deg.	Circular	Single Lens

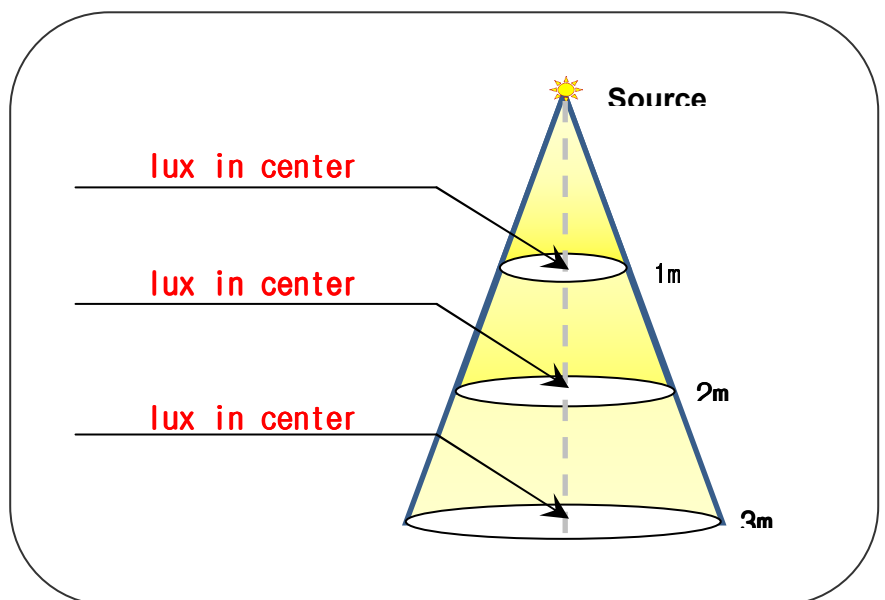
## 3. Measurements Data (Illuminance, Distribution Graph(Photo), Luminous Flux)

Test Conditions :	LED : SEOUL SEMICONDUCTOR 'P4 LED' (Typical Luminous Flux = 105 lm at 350 mA)
	Room Luminous Flux : 0 lm
	Room Temperature : 20°C ± 3°C
	LED temperature after 10 min : ~ 36°C

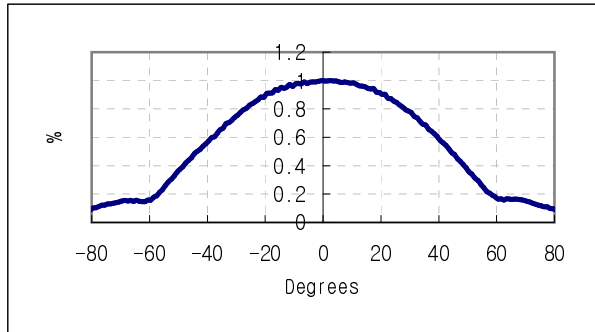
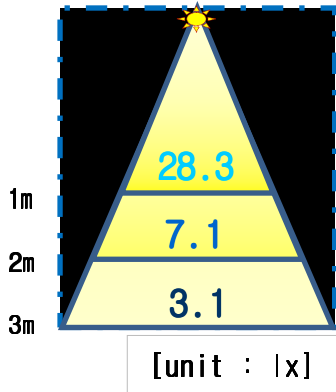
### ■ Illuminance



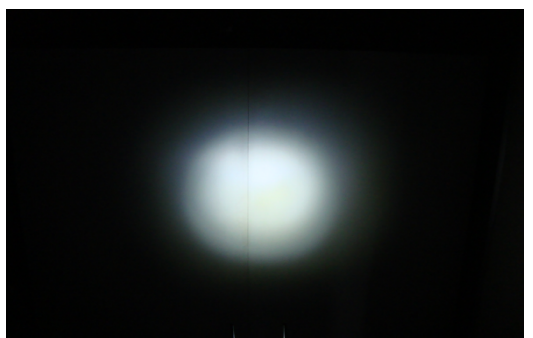
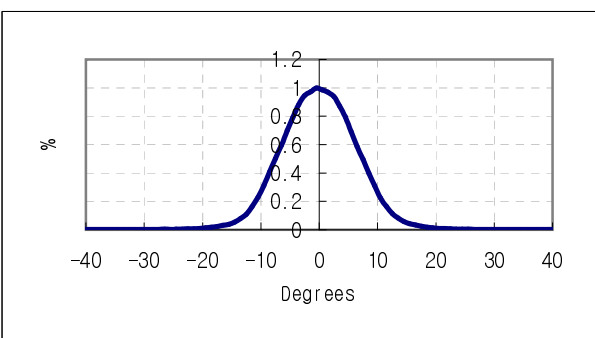
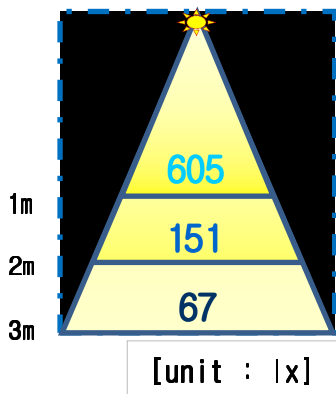
MINOLTA [CL-200]  
: Mesurment (Illuminance)



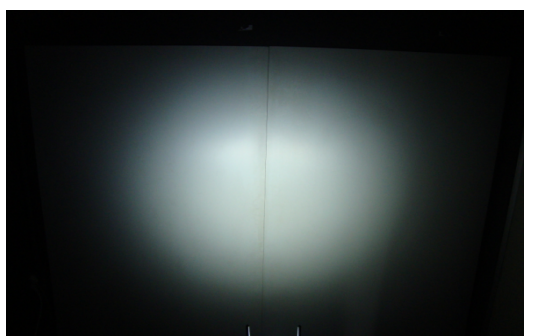
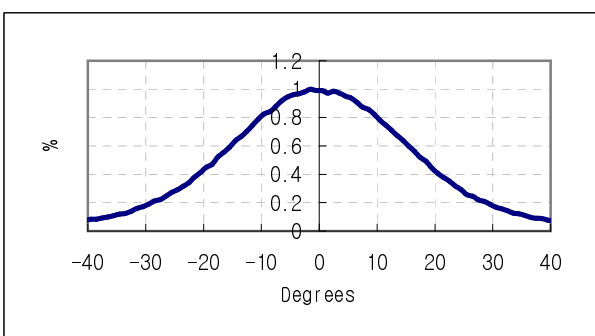
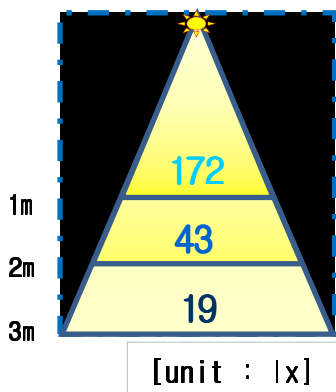
## LED Only



## P4 15D Lens



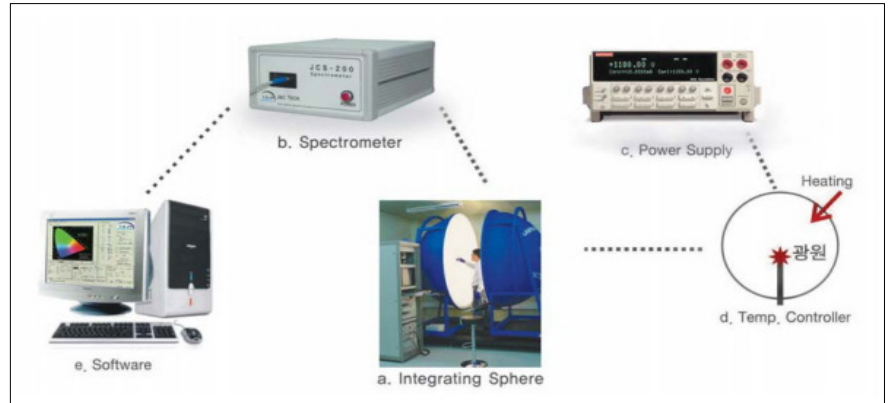
## P4 40D Lens



■ Luminous Flux



J&C TECH [ LMS200 ]  
: Luminous Flux



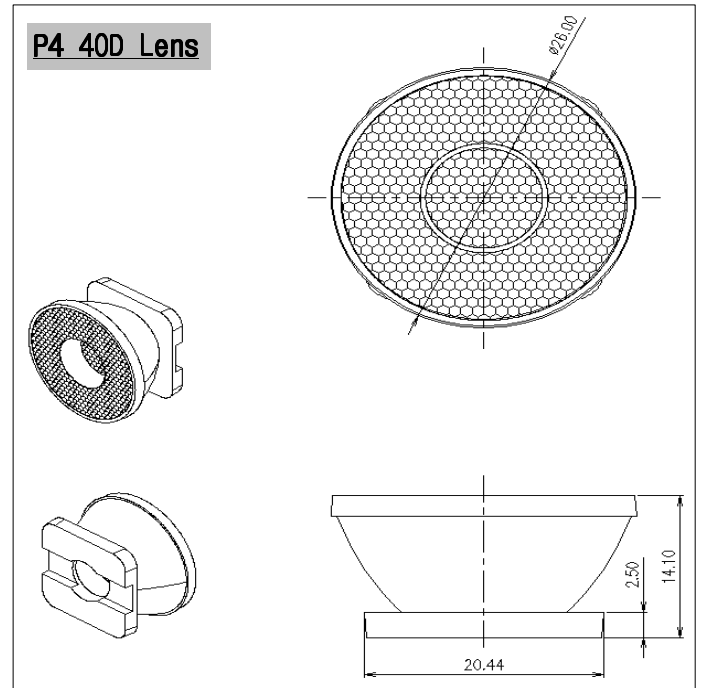
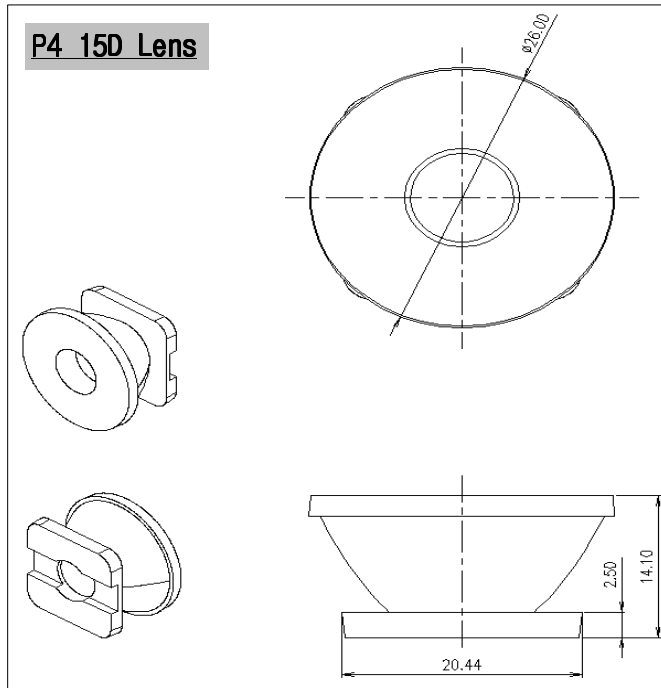
	LED Only	P4 20D Lens	P4 40D Lens
Luminous Flux (lm)	105.0	96.5	91.5
lm/W	92.1	84.6	80.3
Color Temperature (K)	6268	6118	6214
Voltage (V)	3.25	3.25	3.24
I <sub>f</sub> (mA)	350.16	350.17	350.12
Power (W)	1.14	1.14	1.14
Efficiency (%)	100	91.8	87.1

※. According to voltage and electric current value, the above data can be changed.

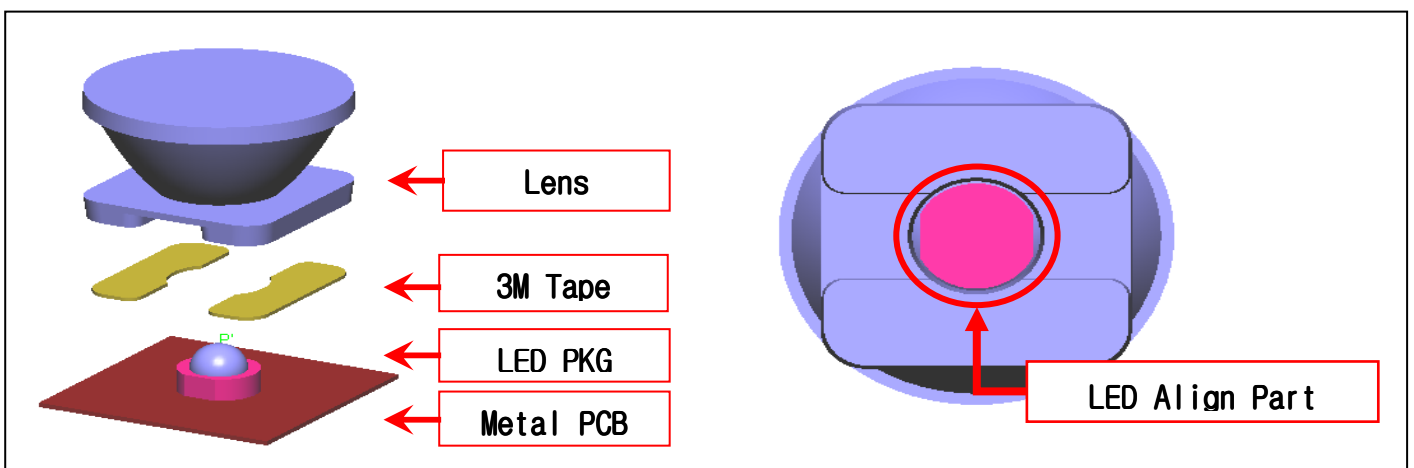
#### 4. Lens Characteristics

Parameter	Symbol	Value	Unit
Lens	PMMA (Optics)	-	-
Operating Temp.	Topr	-40 ~ +80	℃
Storage Temp.	Tstg	-40 ~ +80	℃

## 5. 3D View & Dimensions



## 6. View of the Assmbly



## 7. Handling of the Lens

- Do not store in dusty place.
- Do not expose under corrosive environment.
- Do not touch the lens surface with bare-hand.
- Do not dip in or apply to aggressive chemicals, and also.
- Do not wipe with cloth or paper soaked with aggressive chemicals.

■ 'P4 Lens Series' is ideal a optical solution for SEOUL SEMICONDUCTOR P4 LED

